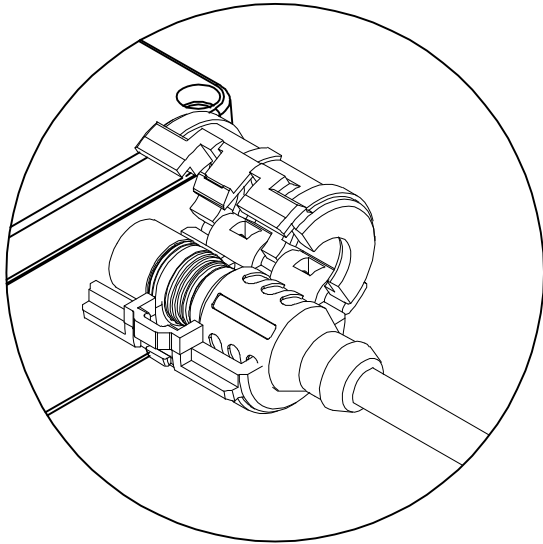


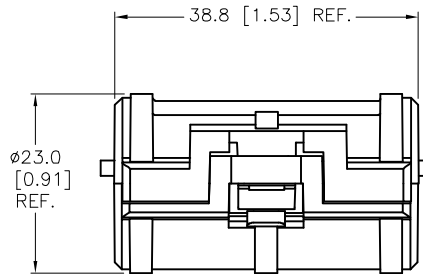
SPECIFICATIONS

HOUSING MATERIAL/COLOR

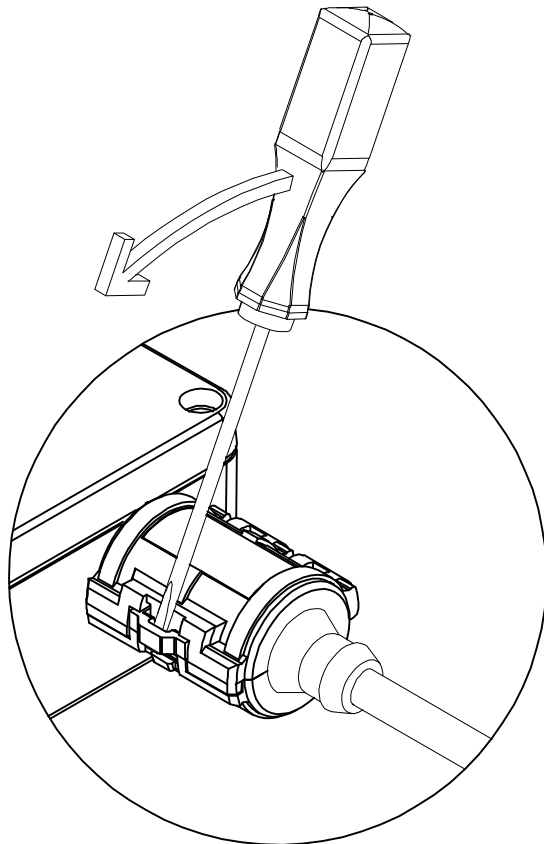
NYLON 66/BLACK



TO INSTALL LOCKOUT DEVICE, PLACE AROUND CORDSET END AND CLOSE UNTIL CONNECTOR SNAPS CLOSED. REFERENCE DIAGRAM OF CONNECTOR.



LOCKOUT DEVICE FITS ALL STRAIGHT TURCK EUROFAST CONNECTORS. (RKC, RSC, RKS, RSS, RKSW, RSSW, RKE, RSE)



TO REMOVE LOCKOUT DEVICE, INSERT SMALL SCREWDRIVER INTO LOCKING GROOVE AS SHOWN IN PICTURE. ROTATE SCREWDRIVER IN DIRECTION SHOWN UNTIL LOCKING DEVICE RELEASES.

SOURCE DRAWING - FOR REFERENCE ONLY

RELATED DOCUMENTS 1. 9-RDV-166 2. 3. 4.		3RD ANGLE PROJECTION 		THIS DRAWING IS CONFIDENTIAL AND THE PROPERTY OF TURCK INC. USE OF THIS DOCUMENT WITHOUT WRITTEN PERMISSION IS PROHIBITED.		3000 CAMPUS DRIVE MINNEAPOLIS, MN 55441 1-800-544-7769 (763) 553-7300 (763) 553-0708 fax www.turck.us	
MATERIAL		DRFT RDS APVD		DATE 12/29/04 SCALE 1=1.0		DESCRIPTION LOCK-EURO-C (10/BAG)	
FINISH		ALL DIMENSIONS DISPLAYED ON THIS DRAWING ARE FOR REFERENCE ONLY CONTACT TURCK FOR MORE INFORMATION		UNIT OF MEASUREMENT MILLIMETERS		IDENTIFICATION NO. A0886	
C UPDATE NOTE		NF 02/18/26 81685		DO NOT SCALE THIS DRAWING		REV C	
REV DESCRIPTION		BY DATE ECO NO.		FILE: A0886		SHEET 1 OF 1	

